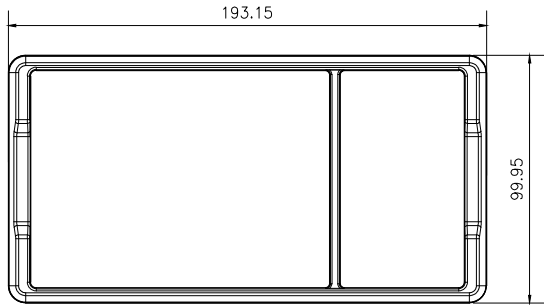
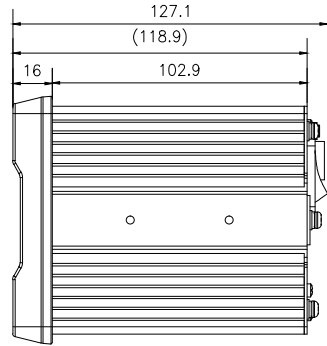


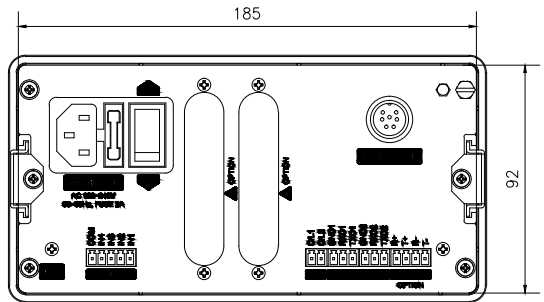
MODEL No.	PART No.	REV	SYM	CONTENTS	DRAWN	CHECKED	APPROVED
			△				



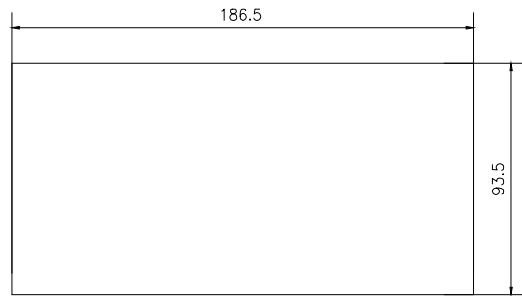
정면




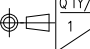
측면



후면



INSERT PANEL SIZE

TOLERANCES UNLESS OTHERWISE SPECIFIED		NAME OF TITLE		 CAS CORPORATION #19 GANAP-R1 GWANGJEOK-MYEON YANGJU-SI GYEONGGI-DO, REP. OF KOREA		
ANGULAR ± DRD.		CI-400				
DECIMAL ± DRD.		FIRST USED IN ASSEMBLY	INDICATOR	MATERIAL		
Q'TY/SET		FIRST MADE FOR	CI-400	END FINISH		
		CONTRACT or CUSTOMER No.	WORLD WIDE	DO NOT SCALE DRAWING	DIMENSIONS ARE IN MM INCH	
DESIGN	CHECKED	APPROVED	SCALE	DRAWING NO.	REV.	
			1:1	N/A	0	